



# M2 HSS Magnetic Cutter

Product Catalog



# M2 HSS Magnetic Cutter

## Description

The Scarb™ brand proudly presents its High-Speed Steel Magnetic Cutters, featuring a substantial 30 mm drill depth. These cutters boast a distinct teeth geometry, ensuring precise cuts, rapid feed rates, minimal vibration, and an impeccably smooth hole surface, ultimately prolonging the tool's lifespan. Versatile in their applications, these HSS magnetic cutters, marked at 30 mm, effortlessly penetrate steel, copper, aluminum, stainless steel, and plastic, be it in plate or pipe configurations. Scarb™ magnetic cutters exhibit an optimized teeth geometry, tailored for superior performance on single-layer metal workpieces, promising unparalleled drilling efficiency. Extending the Scarb™ range, we introduce a 50mm long series, catering to extended reach and diverse drilling requirements.



## Features

- Weldon shank with more stable clamping, better to ensure the stability and accuracy of drilling;
- HSS-E with layered and low friction cutting geometry;
- Applicable to hole cutting and process of annular flute on various magnetic drills and press.
- Choose TiAlN, TiN and AlCrN coatings to improve performance.



## Applications

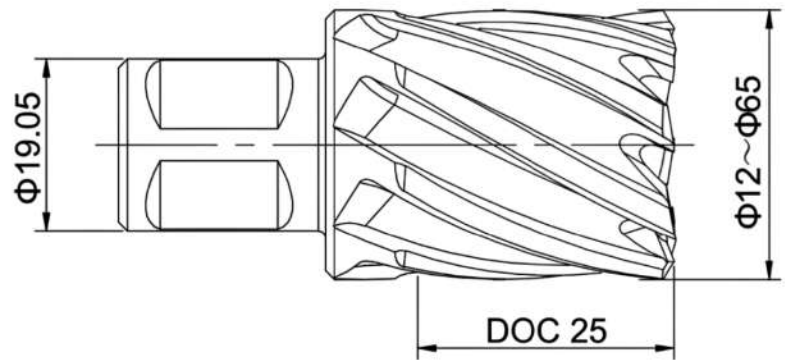
- Stainless steel plate
- Alloy steel plate
- Iron plate
- Copper plate
- Aluminum plate
- Brass plate
- F. R. P.
- Vaulted material
- Other hard compound metallic plates

The TCT Magnetic Hole Cutter is a highly adaptable tool suitable for diverse applications. It excels at puncturing metallic plates effortlessly with an electric drill or when employed with pillar drilling machines, enabling the cutting of angled steel, square pipe, stainless steel pipe, channel steel, and various other materials.





# M2 HSS Magnetic Cutter



## Technical Data (Short Series)

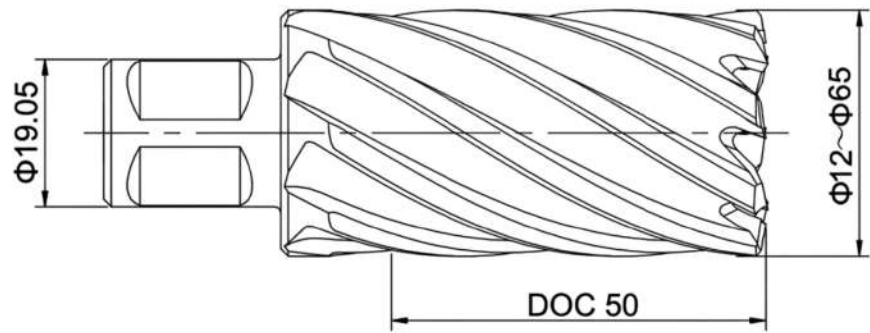
Art No.	Size (in mm)
MHS - 123	12*30
MHS - 133	13*30
MHS - 143	14*30
MHS - 153	15*30
MHS - 163	16*30
MHS - 173	17*30
MHS - 183	18*30
MHS - 193	19*30
MHS - 203	20*30
MHS - 213	21*30
MHS - 223	22*30
MHS - 233	23*30
MHS - 243	24*30
MHS - 253	25*30
MHS - 263	26*30
MHS - 273	27*30
MHS - 283	28*30
MHS - 293	29*30

Art No.	Size (in mm)
MHS - 303	30*30
MHS - 313	31*30
MHS - 323	32*30
MHS - 333	33*30
MHS - 343	34*30
MHS - 353	35*30
MHS - 363	36*30
MHS - 373	37*30
MHS - 383	38*30
MHS - 393	39*30
MHS - 403	40*30
MHS - 413	41*30
MHS - 423	42*30
MHS - 433	43*30
MHS - 443	44*30
MHS - 453	45*30
MHS - 463	46*30
MHS - 473	47*30

Art No.	Size (in mm)
MHS - 483	48*30
MHS - 493	49*30
MHS - 503	50*30
MHS - 513	51*30
MHS - 523	52*30
MHS - 533	53*30
MHS - 543	54*30
MHS - 553	55*30
MHS - 563	56*30
MHS - 573	57*30
MHS - 583	58*30
MHS - 593	59*30
MHS - 603	60*30
MHS - 613	61*30
MHS - 623	62*30
MHS - 633	63*30
MHS - 643	64*30
MHS - 653	65*30



# M2 HSS Magnetic Cutter



## Technical Data (Long Series)

Art No.	Size (in mm)
MHL - 125	12*50
MHL - 135	13*50
MHL - 145	14*50
MHL - 155	15*50
MHL - 165	16*50
MHL - 175	17*50
MHL - 185	18*50
MHL - 195	19*50
MHL - 205	20*50
MHL - 215	21*50
MHL - 225	22*50
MHL - 235	23*50
MHL - 245	24*50
MHL - 255	25*50
MHL - 265	26*50
MHL - 275	27*50
MHL - 285	28*50
MHL - 295	29*50
MHL - 305	30*50
MHL - 315	31*50
MHL - 325	32*50

Art No.	Size (in mm)
MHL - 335	33*50
MHL - 345	34*50
MHL - 355	35*50
MHL - 365	36*50
MHL - 375	37*50
MHL - 385	38*50
MHL - 395	39*50
MHL - 405	40*50
MHL - 415	41*50
MHL - 425	42*50
MHL - 435	43*50
MHL - 445	44*50
MHL - 455	45*50
MHL - 465	46*50
MHL - 475	47*50
MHL - 485	48*50
MHL - 495	49*50
MHL - 505	50*50
MHL - 515	51*50
MHL - 525	52*50
MHL - 535	53*50

Art No.	Size (in mm)
MHL - 545	54*50
MHL - 555	55*50
MHL - 565	56*50
MHL - 575	57*50
MHL - 585	58*50
MHL - 595	59*50
MHL - 605	60*50
MHL - 615	61*50
MHL - 625	62*50
MHL - 635	63*50
MHL - 645	64*50
MHL - 655	65*50
MHL - 685	68*50
MHL - 705	70*50
MHL - 755	75*50
MHL - 805	80*50
MHL - 855	85*50
MHL - 905	90*50
MHL - 955	95*50
MHL - 985	98*50
MHL - 1005	100*50



# M2 HSS Magnetic Cutter



## Optional Accessories

### Matching Pilot Pin

For Short Series	Diameter	Specification (in mm)
	12 - 65	6.34*77

For Long Series	Diameter	Specification (in mm)
	12 - 65	6.34*102

## Packing

