

Long-Jaw Vernier Caliper

SERIES 534

FEATURES

- Long jaws for measuring hard-to-reach features.

- Fine adjustment for more accurate measurement (except 534-109 and 534-110)
- Supplied in fitted wooden case.



SPECIFICATIONS

Metric with metric/metric dual scale without fine adjustment

Range*	Order No.	Accuracy	Graduation		Mass (g)
			Lower Scale	Upper Scale	
0 (10) - 300mm	534-109	±0.07mm	0.05mm	0.05mm	400
0 (20) - 500mm	534-110	±0.13mm	0.05mm	0.05mm	1,400

* () : Minimum dimension in ID measurement

Metric with metric/metric dual scale

Range*	Order No.	Accuracy	Graduation		Mass (g)
			Lower Scale	Upper Scale	
0 (10) - 300mm	534-113	±0.04mm	0.02mm	0.02mm	460
0 (20) - 500mm	534-114	±0.06mm	0.02mm	0.02mm	1,500
0 (20) - 750mm	534-115	±0.08mm	0.02mm	0.02mm	2,900
0 (20) - 1000mm	534-116	±0.10mm	0.02mm	0.02mm	3,500

* () : Minimum dimension in ID measurement

Metric/Inch with metric/inch dual scale

Range*	Order No.	Accuracy	Graduation		Mass (g)
			Lower Scale	Upper Scale	
0 (10) - 300mm / 0 (.3") - 12"	534-101	±0.07mm	0.05mm	1/128"	460
0 (10) - 300mm / 0 (.3") - 12"	534-105	±0.04mm	0.02mm	.001"	460
0 (20) - 500mm / 0 (.8") - 20"	534-102	±0.13mm	0.05mm	1/128"	1,500
0 (20) - 500mm / 0 (.8") - 20"	534-106	±0.06mm	0.02mm	.001"	1,500
0 (20) - 700mm / 0 (.8") - 30"	534-103	±0.16mm	0.05mm	1/128"	2,900
0 (20) - 700mm / 0 (.8") - 30"	534-107	±0.08mm	0.02mm	.001"	2,900
0 (20) - 1000mm / 0 (.8") - 40"	534-104	±0.20mm	0.05mm	1/128"	3,500
0 (20) - 1000mm / 0 (.8") - 40"	534-108	±0.10mm	0.02mm	.001"	3,500

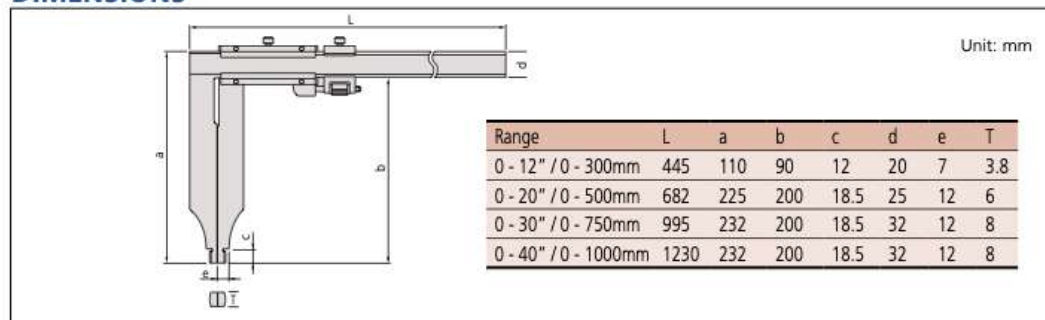
* () : Minimum dimension in ID measurement

Inch with inch/inch dual scale

Range*	Order No.	Accuracy	Graduation		Mass (g)
			Lower Scale	Upper Scale	
0 (.3") - 12"	534-117	±.002"	.001"	.001"	400
0 (.8") - 20"	534-118	±.003"	.001"	.001"	1500
0 (.8") - 30"	534-119	±.004"	.001"	.001"	2900
0 (.8") - 40"	534-120	±.004"	.001"	.001"	3500

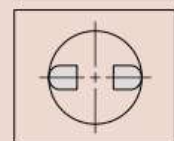
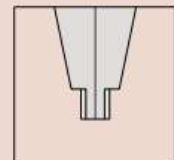
* () : Minimum dimension in ID measurement

DIMENSIONS



Technical Data

Accuracy: Refer to the list of specifications
 Graduation: Refer to the list of specifications



Round surface of jaws for accurate CD measurement.