

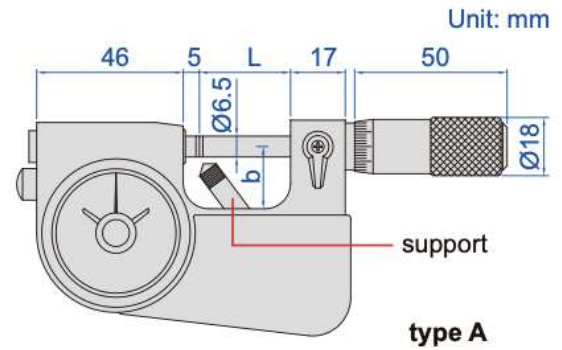
INDICATING MICROMETERS

ATTENTION: SETTING STANDARDS ARE NOT INCLUDED

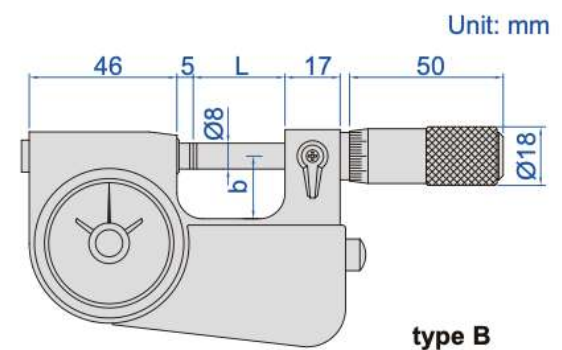
- Meet DIN863-3
- Micrometer head graduation: 0.002mm
- Dial indicator: range ± 0.04 mm, graduation 0.001mm, accuracy 0.001mm
- Carbide measuring faces
- Optional accessory: gage blocks grade 0 (4101-A series), for zero setting



3332-25



3332-25B



(mm)

| Code | Micrometer head range | Micrometer head accuracy | Type | L | b | Remark |
|----------|-----------------------|--------------------------|------|-------|----|-----------------|
| 3332-25 | 0-25mm | 4 μ m | A | 28.5 | 19 | with support |
| 3332-50 | 25-50mm | 4 μ m | A | 53.5 | 30 | with support |
| 3332-75 | 50-75mm | 5 μ m | A | 78.5 | 45 | without support |
| 3332-100 | 75-100mm | 5 μ m | A | 103.5 | 57 | without support |
| 3332-25B | 0-25mm | 4 μ m | B | 28.5 | 19 | without support |